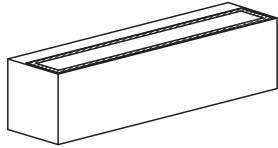
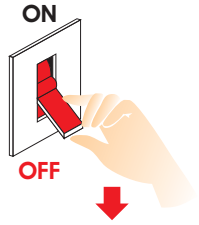


# BRICK II

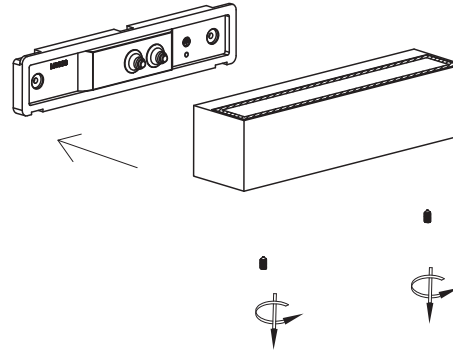
## Installation Manual

### Attention

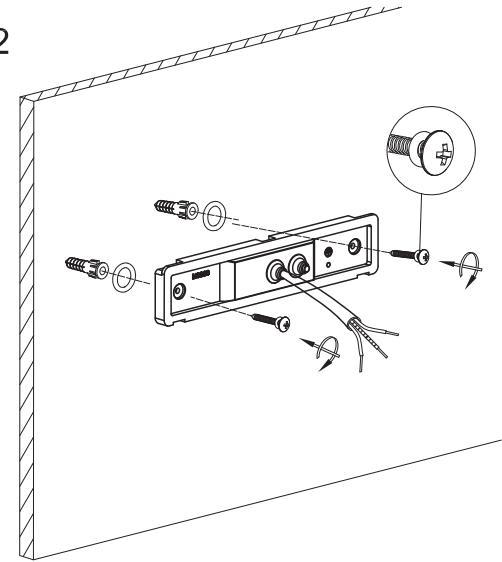
Before any maintenance switch off the main power.



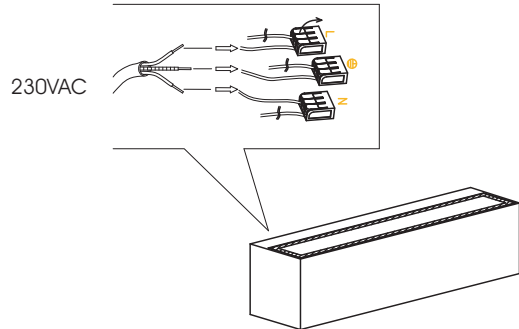
1



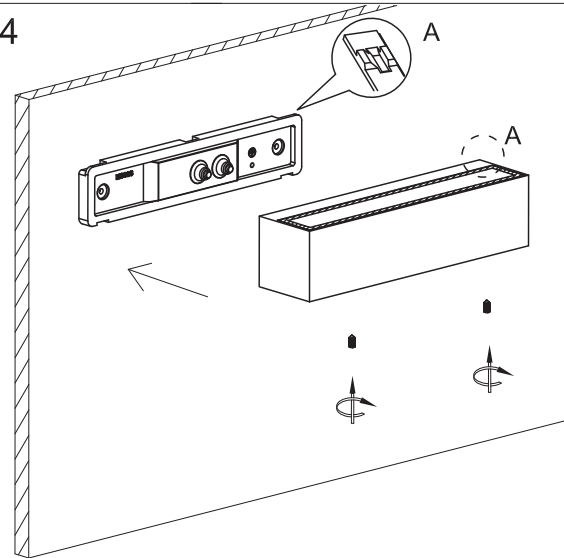
2



3



4



5

